

FLUID Automation, Inc

• 49175 WEST ROAD • P.O. BOX 930302 • WIXOM, MICHIGAN 48393 • PH. (248) 912-1970 • FAX (248) 912-1971 •
• Website: www.fluidautomation.com • E-mail: sales@fluidautomation.com •

MODEL S4-5 & CS4-5 1:1 FIXED RATIO METER-MIX MACHINES

S4-5 FEATURES

- Medical and Industrial Models
- 5-Gallon Follow Plates
- 6" Pneumatic Drive Cylinder
- Separate Material Ram Controls
- Low Material Level Shutoff Switches
- 1" O.D. Static Mixer
- Pneumatic Main Air Shutoff Valve
- Manifold With A & B Material Pressure Gauges Included
- 7-Foot Material Hoses Standard Length (Specify Required Length At Time Of Order)

CS4-5 FEATURES

- High Pigment Pressure Safety Shutoff Circuit.
- Adjustable Pigment Ratio. (1% To 5% Standard)
- Up To 40% Pigment Or Silicone Fluid Metering Pumps Available.
- Pressurized Pigment Feed Tank.

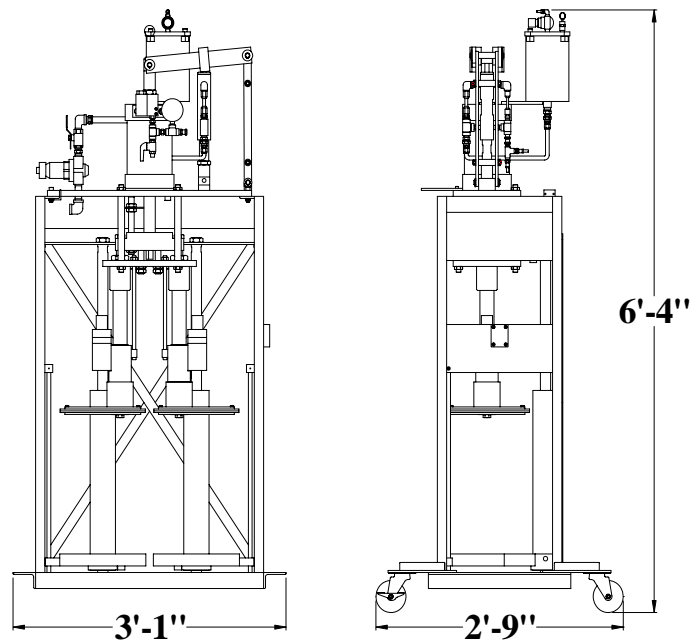
OPTIONS

- 8" Pneumatic Drive Cylinder For Higher Output Pressure Capabilities.
- Castor Wheels For Roll-Around Option.
- Mounted Static Mixer.



MACHINE SPECIFICATIONS

Viscosity Range:	50,000 TO 2,500,000 Centipoise (CPS)
Flow Rate:	2 TO 3 lb/min @ 500,000 Centipoise
Maximum Output Pressure (6" Drive Cylinder):	2,100 PSI
Maximum Output Pressure (8" Drive Cylinder):	3,700 PSI
Ratio Range "A" TO "B":	1:1 Fixed Ratio
Pigment Ratio Range:	Up To 40 Percent
Air Requirements:	10 CFM @ 100 psi
Power Requirements (CS4-5 Models Only):	120 VAC / 50-60 Cycle / Single Phase
Electrical Current Requirements (CS4-5 Models Only):	3 AMPS.
Shipping Weight (Includes Crate) :	700 Pounds



Accessories & Options

- "C" - Third Stream Metering For Silicone Oil Or Pigment
- SK529 - 8" Pneumatic Drive Cylinder Upgrade For Greater Material Output Pressure
- SK505 - Castor Wheels & Bracket Assemblies (Shown Above)
- SA916 - Material Interface Shutoff Valve
- SA916WJ - External Cooling Plates For SA916 Interface Valve
- SA932 - Water Ported A-B-C Material Manifold
- SM300002 - Water Jacket For 1" O.D. Static Mixer Assemblies