



• 49175 WEST ROAD • P.O. BOX 930302 • WIXOM, MICHIGAN 48393 • PH. (248) 912-1970 • FAX (248) 912-1971 •
• Website: www.fluidautomation.com • E-mail: sales@fluidautomation.com •

MODEL E4-5 & CE4-5 VARIABLE RATIO METER-MIX MACHINES

E4-5 FEATURES

- 5-Gallon Follow Plates
- Individual Pump Drive Air Cylinders
- Programmable Color Percentages Using The SN751 Color Injector
- Low Material Level Indicators
- Five User Selectable Modes Of Operation
- PLC Controller With 256 Color Touch Screen

CE4-5 FEATURES

- 5-Gallon Follow Plates
- Third Stream Slave Style Color Metering Pump
- Individual Pump Drive Air Cylinders
- Low Material Level Indicators
- High And Low Pigment Pressure Sensors
- Five User Selectable Modes Of Operation
- PLC Controller With 256 Color Touch Screen
- Variable Pigment Percentage

SPECIAL OPTIONS

E4-5 & CE4-5

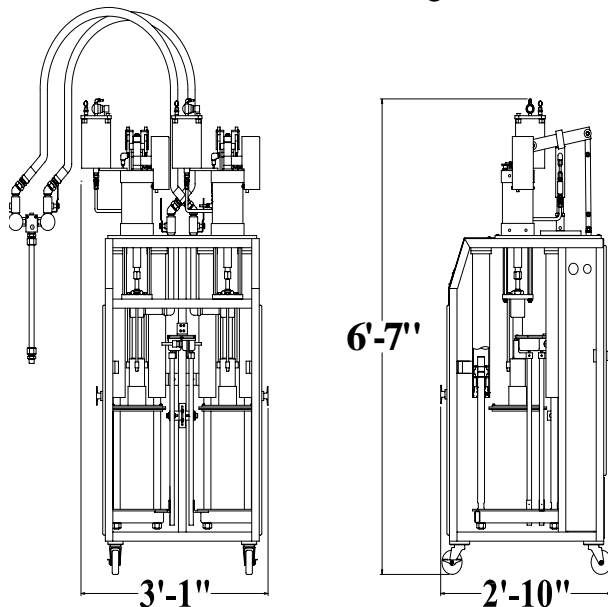
- Additional Fourth Stream Metering For Oils Or Pigment
- Panel Mounted Printer
- B240 Pumps For Greater Flow Rate
- Closed-Loop Automatic Ratio Adjustment Controls
- Pail Girdles For Higher Durometer Materials



MACHINE SPECIFICATIONS

Viscosity Range:	50,000 To 3,000,000 Centipoise (CPS)
Flow Rate:	Up To 5 Lb./Min @ 500,000 Centipoise
Maximum Output Pressure:	4,200 Psi (285 Bar)
Ratio Range:	1:1 To 2:1 Adjustable In 1% Increments
Pigment Ratio Range (E4 w/ SN751):	.2 To 8 Percent (8% Depends On Flow Rate)
Pigment Ratio Range (CE4 Style):	1 to 5% Standard , Up To 40 Percent Special
Air Requirement:	10 CFM @ 80 PSI (Maximum 100 Psi)
Power Requirement:	120 VAC / 50-60 Cycle / Single Phase
Electrical Current Requirement:	3 Amps.
Weight:	1100 Pounds

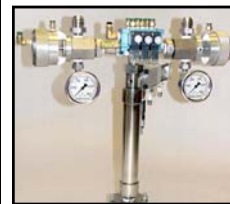
SPACE REQUIREMENT



OPTIONAL ACCESSORIES

Third And Fourth Stream Metering For Silicone Oil Or Pigment
 SK502 Quick Color Change Kit (Color Drive Assembly Required)*
 SK506 Closed Loop Automatic Ratio Controls
 SA907 5-Gallon Pail Girdles To Prevent Pail Rupture
 SA913 Double O-Ring Follow Plate (Requires SA907)
 SA916 Material Interface Valve *
 SA932 Water Ported A-B-C Material Manifold *
 SM300002 Water Jacket For 1" O.D. Static Mixer Assemblies*
 060124 Panel Mounted Thermal Printer

* For CE4 Model Only, Included With E4 Model



E4 Manifold Assembly



CE4 Manifold Assembly

E4 Style Manifold, Mixer & Shutoff Valves. CE Style Requires Shutoff Valve Below The Color Inlet To Prevent Uneven Color Dispersion.

Included with the machine.